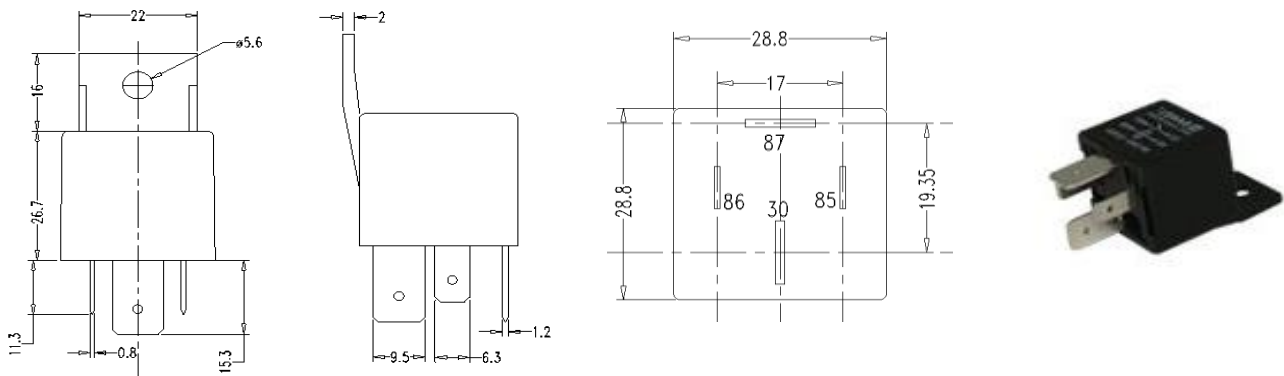


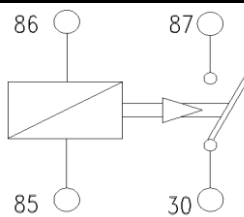
<b>Description</b>	<b>Part Number</b>
<b>12V 80A 4 PIN RELAY</b> with/without Plastic Bracket	<b>SR1245</b>

**Dimensions (Unit: mm)**



**Wiring Diagram**

**SR1245**



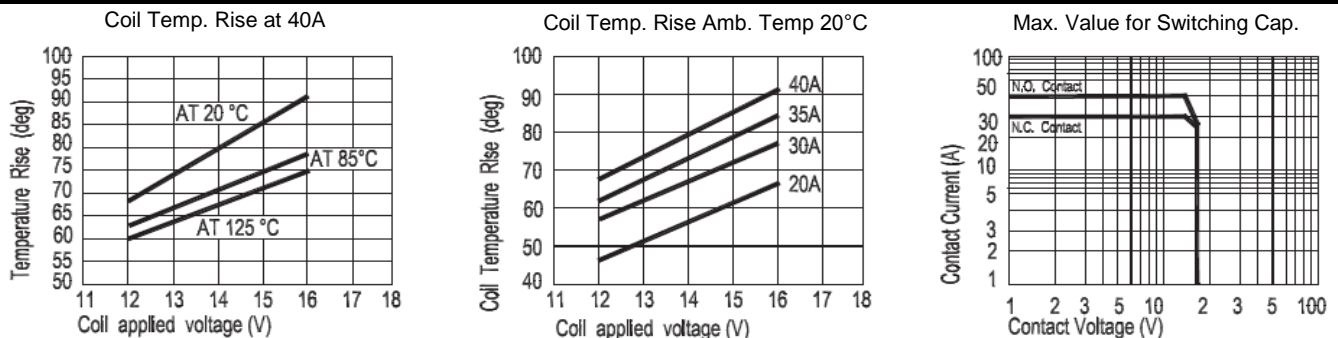
**Electrical Characteristics**

Nominal Voltage (U <sub>N</sub> )	12V	Nominal Current	80A / 14V
Operating Voltage (U <sub>OP</sub> )	9-15V	Max. Cont. Current	80A
Contact Resistance	≤30mΩ	Max.Switching Current ON	100A
Pull In Voltage	≤7,8V	Max.Switching Current OFF	80A
Pull-Off Voltage	1≤V≤5	Insulation Resistance	100 MΩ min
Coil Power Consump.	1,6W	Dielectric Strength Between Contacts	50Hz 500V
Coil Resistance (Ω ± %10)	90 Ω		
Operation Life (Electrical)	10 <sup>5</sup>	Terminals Strength	100N

**Mechanical Characteristics**

Contact Material	AgSnO <sub>2</sub>	Terminals	CuZn 9,5x0,8mm	
Contact Operate Time	≤7ms		CuZn 6,3x0,8mm	
Contact Release Time	≤5ms		Fixed Contact	AgSnO <sub>2</sub>
Operation Temperature	-30..+85°C		Moving Contact	AgSnO <sub>2</sub>
Relative Humidity	%85 (at 40°C)		Coil	Oxygen Free Copper
Shock Resistance	147 m/s <sup>2</sup> 11ms		Base Plate	Nylon PA6,6
Operation Life (Mechanical)	10 <sup>7</sup>		Cap	Nylon PA6,6
Mass	48g			

**Reference Data**



**Additional Data**

In conformity with:	ISO 7588	DIN 46244	2002/95/EC RoHS
	ISO 8092	DIN 40050:IP54	10 ECE-ONU/02