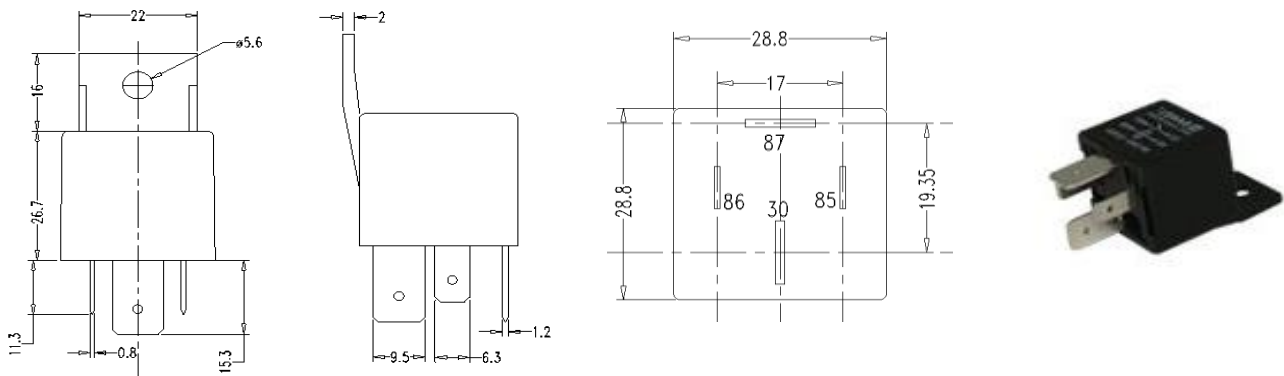


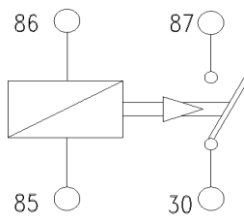
Description	Part Number
24V 40A 4 PIN RELAY with/without Plastic Bracket	SR2445

Dimensions (Unit: mm)



Wiring Diagram

SR2445



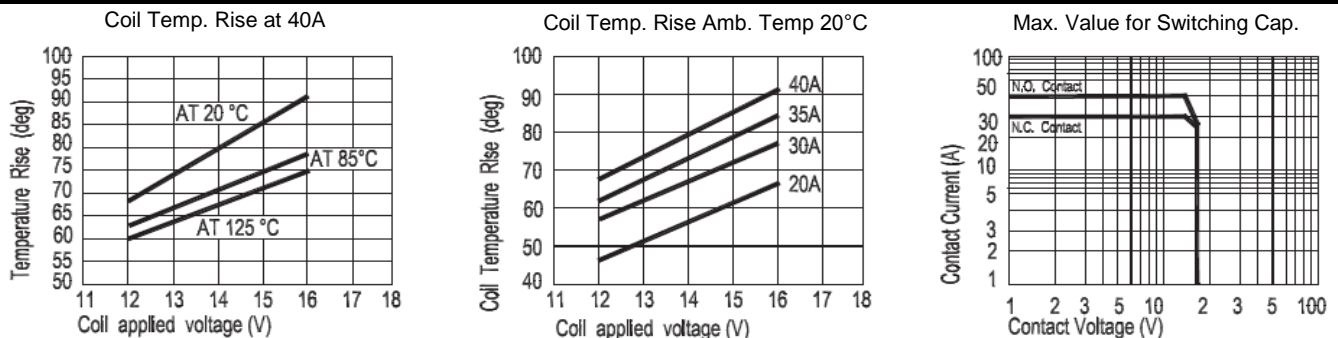
Electrical Characteristics

Nominal Voltage (U _N)	24V	Nominal Current	40A / 28V
Operating Voltage (U _{OP})	18-30V	Max. Cont. Current	40A
Contact Resistance	≤30mΩ	Max.Switching Current ON	80A
Pull In Voltage	≤15,6V	Max.Switching Current OFF	40A
Pull-Off Voltage	2≤V≤10	Insulation Resistance	100 MΩ min
Coil Power Consump.	1,8W	Dielectric Strength Between Contacts	50Hz 500V
Coil Resistance (Ω ± %10)	320 Ω		
Operation Life (Electrical)	10 ⁵	Terminals Strength	100N

Mechanical Characteristics

Contact Material	AgSnO ₂	Terminals	CuZn 9,5x0,8mm	
Contact Operate Time	≤7ms		CuZn 6,3x0,8mm	
Contact Release Time	≤5ms		Fixed Contact	AgSnO ₂
Operation Temperature	-30..+85°C		Moving Contact	AgSnO ₂
Relative Humidity	%85 (at 40°C)		Coil	Oxygen Free Copper
Shock Resistance	147 m/s ² 11ms		Base Plate	Nylon PA6,6
Operation Life (Mechanical)	10 ⁷		Cap	Nylon PA6,6
Mass	48g			

Reference Data



Additional Data

In conformity with:	ISO 7588	DIN 46244	2002/95/EC RoHS
	ISO 8092	DIN 40050:IP54	10 ECE-ONU/02