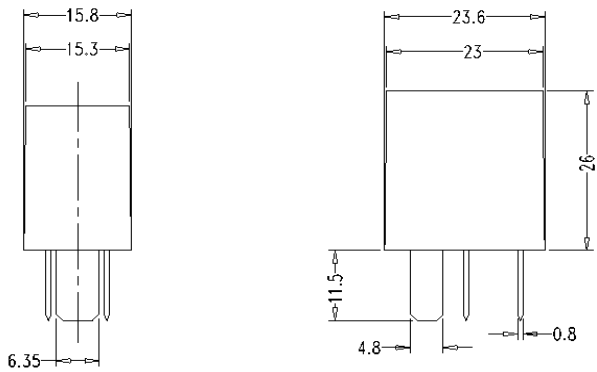




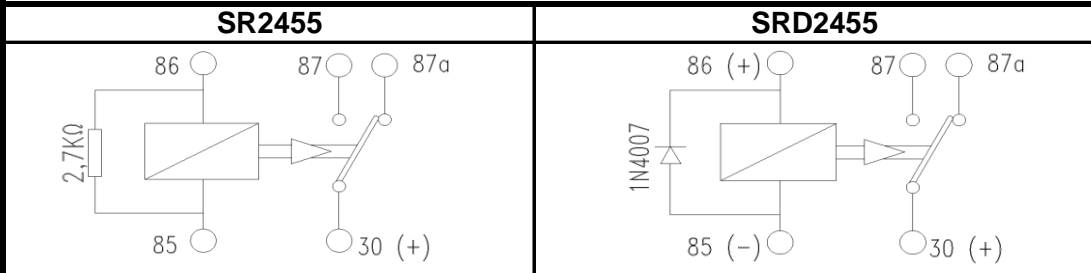
Description
24V 10/15A 5 PIN RELAY
 Micro type

Part Number
SRx2455

Dimensions (Unit: mm)



Wiring Diagram



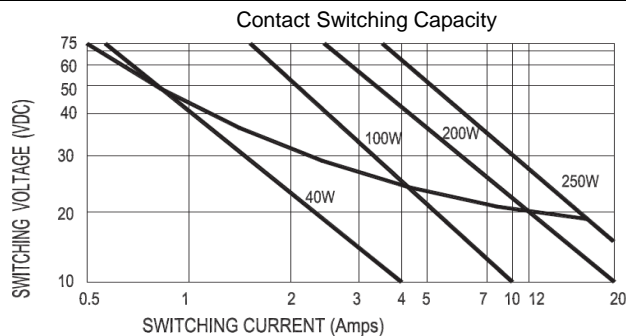
Electrical Characteristics

Nominal Voltage (UN)	24V	Nominal Current	10A, 15A / 28V
Operating Voltage (UOP)	18-30V	Max. Cont. Current	10A N/C 15A N/O
Contact Resistance	≤50mΩ	Max.Switching Current ON	20A N/C 30A N/O
Pull In Voltage	≤16,8 V	Max.Switching Current OFF	10A N/C 15A N/O
Pull-Off Voltage	2≤V≤10	Insulation Resistance	100MΩ min
Coil Power Consump.	1,5W	Dielectric Strength Between Contacts	50Hz 500V
Coil Resistance (Ω ± %10)	384 Ω		
Operation Life (Electrical)	10 ⁵	Terminals Strength	90N

Mechanical Characteristics

Contact Material	AgSnO ₂	Terminals	CuZn 6,3x0,8mm	
Contact Operate Time	≤10ms		CuZn 4.8x0,8mm	
Contact Release Time	≤7ms		Fixed Contact	AgSnO ₂
Operation Temperature	-30..+85°C		Moving Contact	AgSnO ₂
Relative Humidity	%85 (at 40°C)		Coil	Oxygen Free Copper
Shock Resistance	100 m/s ² 11 ms		Base Plate	Nylon PA6,6
Operation Life (Mechanical)	10 ⁷		Cap	Nylon PA6,6
Mass	18.5 g			

Reference Data



Additional Data

In conformity with:	ISO 7588	DIN 46244	2002/95/EC RoHS
	ISO 8092	DIN 40050:IP54	10 ECE-ONU/02